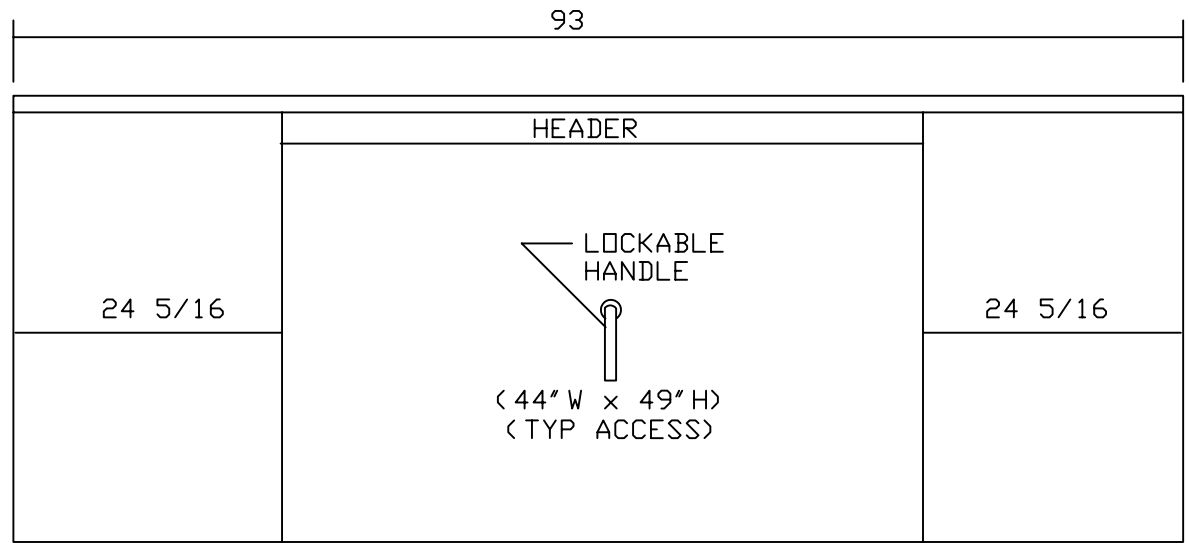
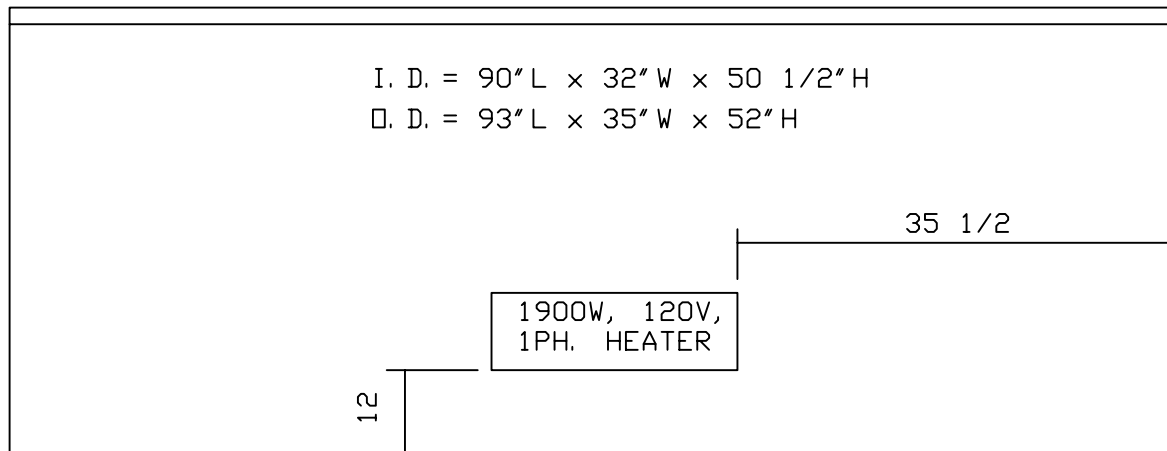


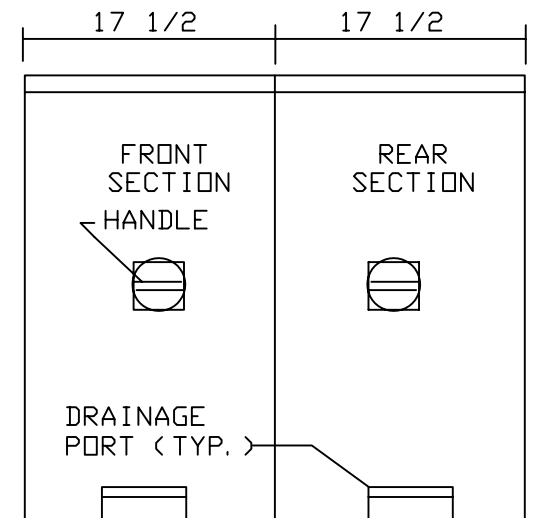
LEFT SIDE VIEW



FRONT VIEW



REAR VIEW



RIGHT SIDE VIEW

RECOMMENDED SLAB SIZE : 102" L x 44" W x 4" MINIMUM THICKNESS

RESTRICTED DRAWING.
PATENT # 4,726,394.

Hot Box®
924 LANE AVE. N.
JACKSONVILLE, FLORIDA 32254
(904) 786-0204 (800) 736-0238
FAX (904) 783-6965
<http://www.hot-box.com>

TITLE :
HB4N (STANDARD 2-PC HEATED ALUMINUM ENCLOSURE)

BY/DATE/DWG:
SBT / 12-15-99
HB4N

ENGINEER / CONTRACTOR :

LOCATION :

APPROVED/DATE :

REV. 1 :

REV. 2 :

REV. 3 :

SCALE :
N. T. S.

REP. / DISTRIBUTOR :

QUOTE NO.: