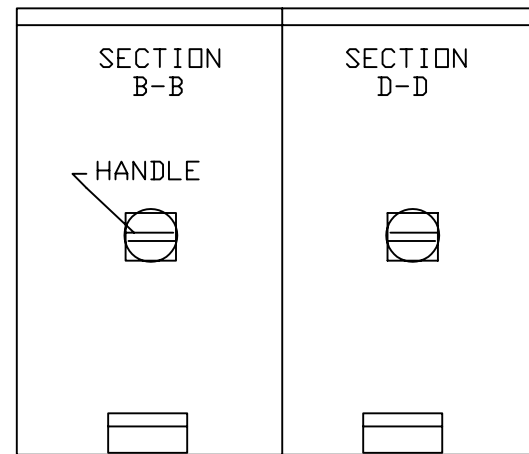
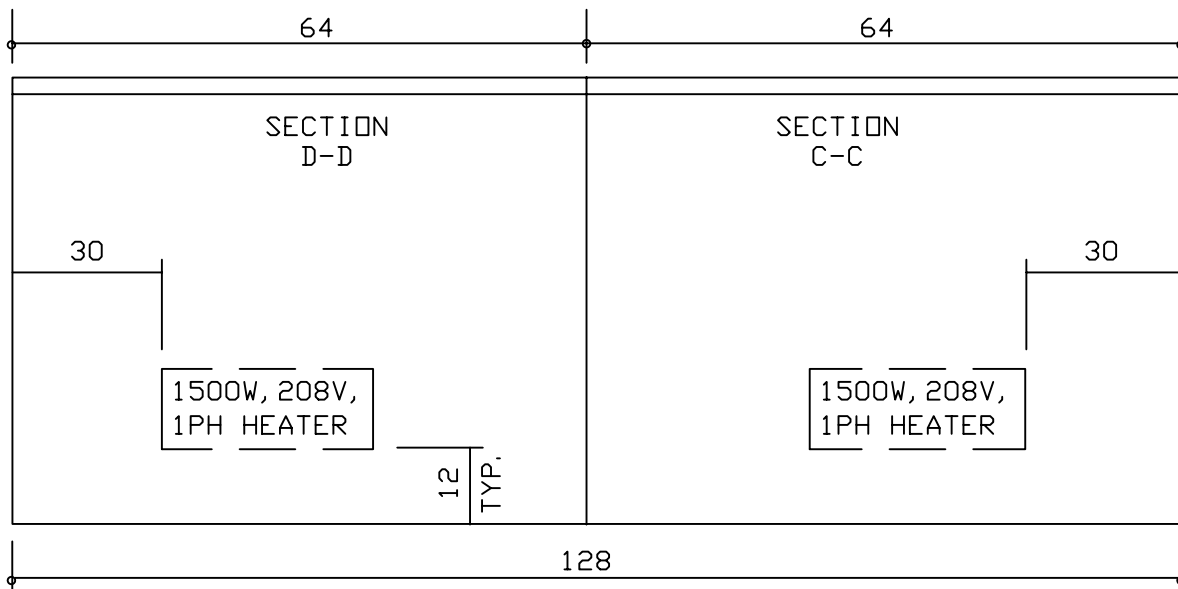
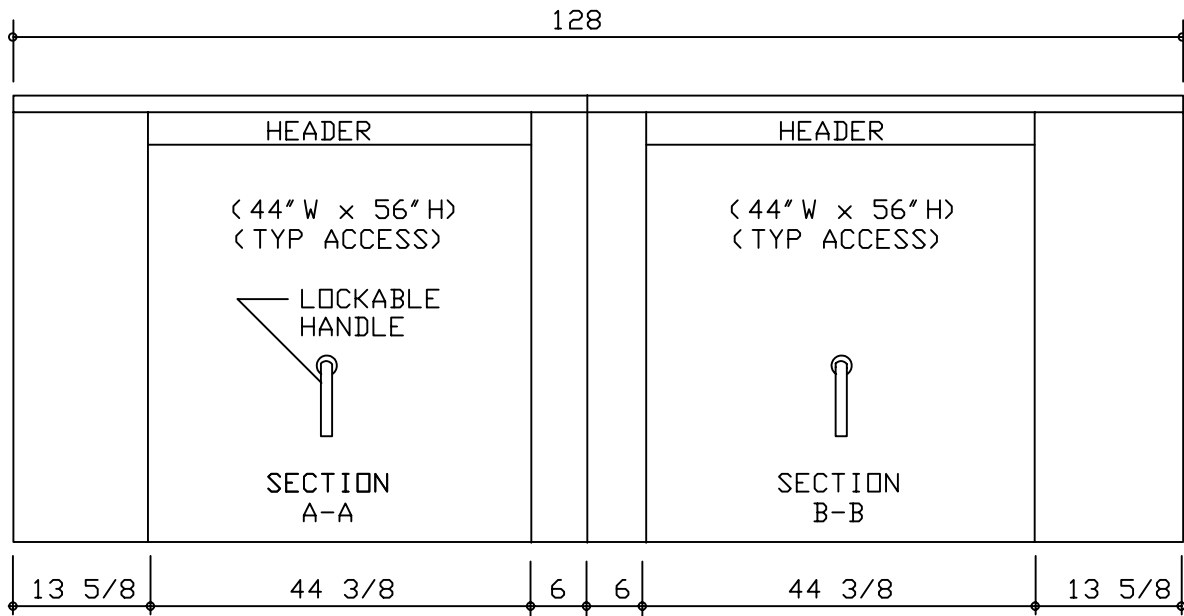


65 1/2



DRAINAGE PORT (TYP.)

RESTRICTED DRAWING.  
PATENT # 4, 726, 394.

Hot Box®  
924 LANE AVE. N.  
JACKSONVILLE, FLORIDA 32254  
(904) 786-0204 (800) 736-0238  
FAX (904) 783-6965  
<http://www.hot-box.com>

TITLE :  
HB6ES (STANDARD 4-PC HEATED ALUMINUM ENCLOSURE)

BY/DATE/DWG:  
SBT / 3-1-99  
HB6ES

ENGINEER / CONTRACTOR :

LOCATION :

APPROVED/DATE :

REV. 1 :

REV. 2 :

REV. 3 :

SCALE :  
N. T. S.

REP. / DISTRIBUTOR :

QUOTE NO.: