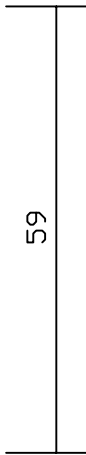
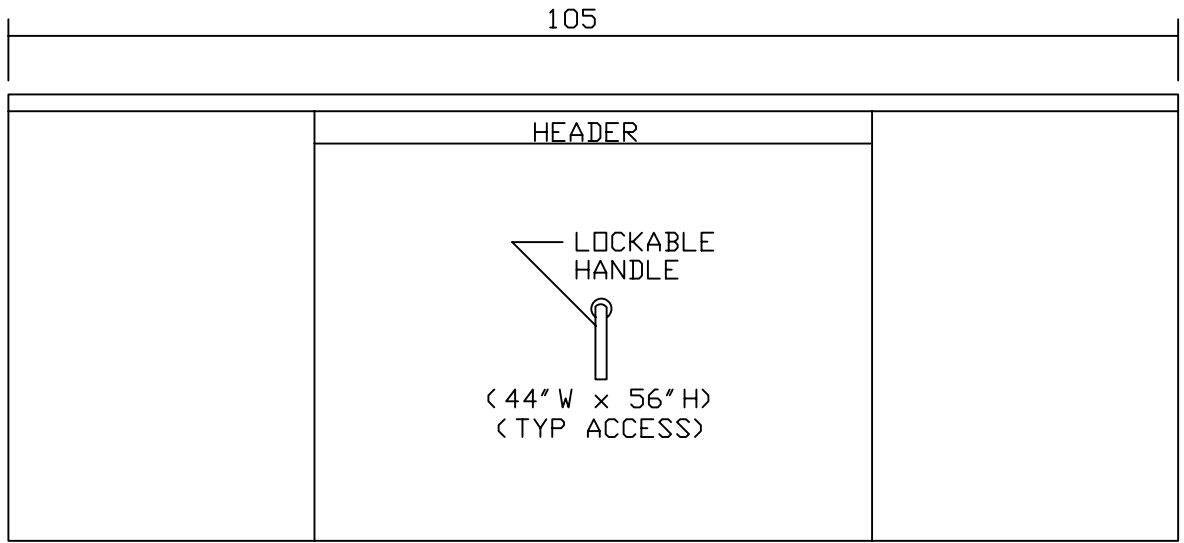


LEFT SIDE VIEW



59

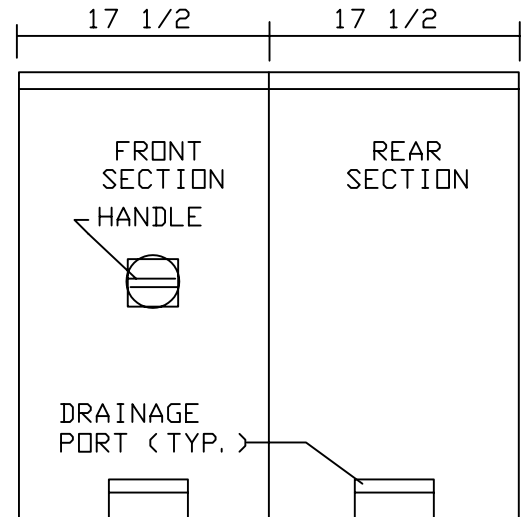


FRONT VIEW

I. D. = 102" L x 32" W x 57 1/2" H  
 O. D. = 105" L x 35" W x 59" H  
 RECOMMENDED SLAB SIZE : 114" L x 44" W x  
 4" MINIMUM THICKNESS  
 ALL ALUMINUM CONSTRUCTION WITH SPRAY APPLIED  
 INSULATING FOAM. MINIMUM R FACTOR OF 8.

HEATER BRACKETS SUPPLIED

REAR VIEW



RIGHT SIDE VIEW

RESTRICTED DRAWING.  
 PATENT # 4,726,394.

**Hot Box®**  
 924 LANE AVE N.  
 JACKSONVILLE, FLORIDA 32254  
 (904) 786-0204 (800) 736-0238  
 FAX (904) 783-6965  
<http://www.hot-box.com>

TITLE :  
 LB4ES (STANDARD 2-PC ALUMINUM ENCLOSURE - NO HEAT)

BY/DATE/DWG:  
 SBT / 11-26-97  
 LB4ES

ENGINEER / CONTRACTOR :

LOCATION :

APPROVED/DATE :

REV. 1 :

REV. 2 :

REV. 3 :

SCALE :  
 N. T. S.

REP. / DISTRIBUTOR :

QUOTE NO.: