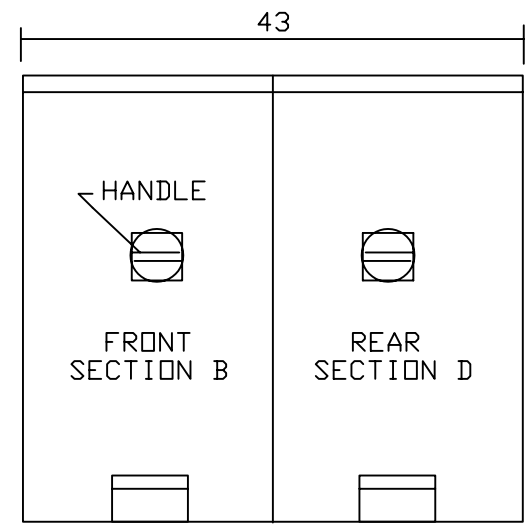
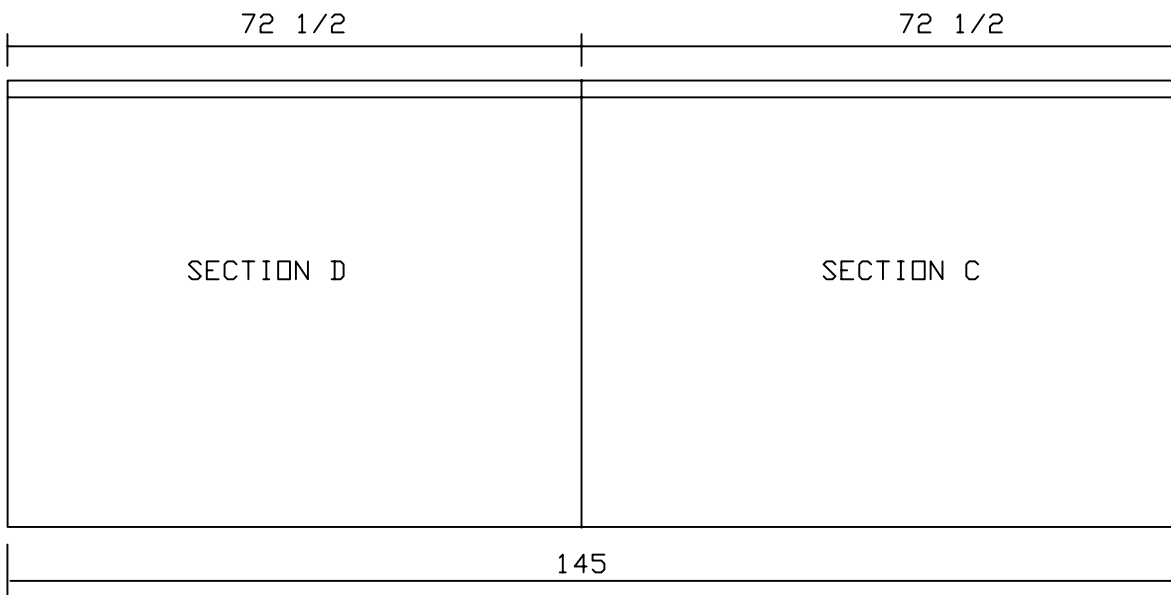
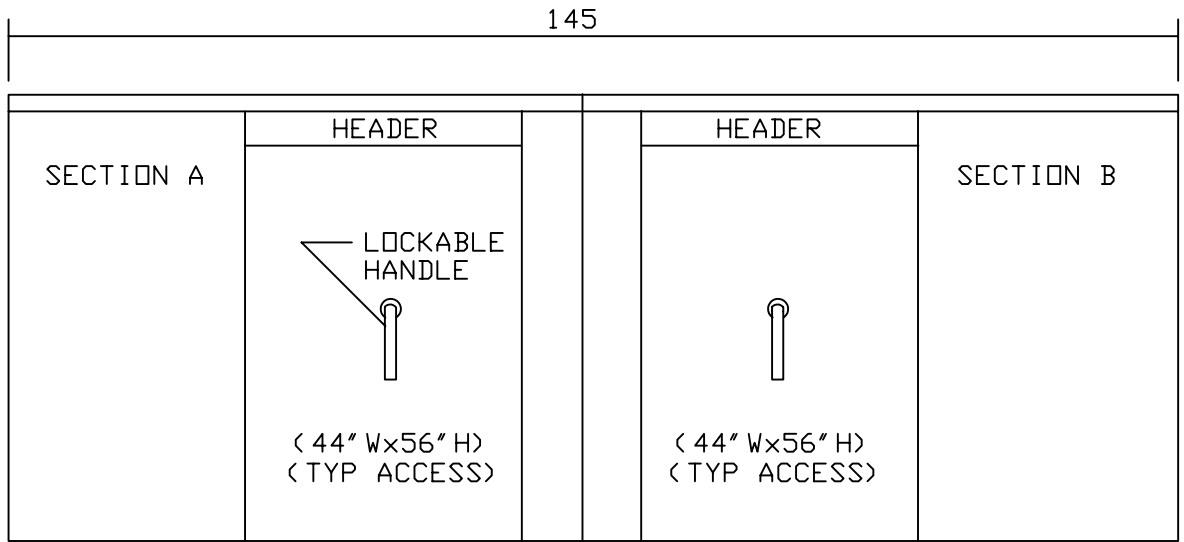


59 1/2



DRAINAGE PORT (TYP.)

<p>Hot Box® 924 LANE AVE. N. JACKSONVILLE, FLORIDA 32254 (904) 786-0204 (800) 736-0238 FAX (904) 783-6965 http://www.hot-box.com</p>		<p>TITLE : LB8NS (STANDARD 4-PC HEATED ALUMINUM ENCLOSURE)</p>		<p>BY/DATE/DWG: SBT / 12-3-98 LB8NS</p>	
<p>ENGINEER / CONTRACTOR :</p>		<p>LOCATION :</p>		<p>APPROVED/DATE :</p>	
<p>REV. 1 :</p>	<p>REV. 2 :</p>	<p>REV. 3 :</p>	<p>SCALE : N. T. S.</p>	<p>REP. / DISTRIBUTOR :</p>	<p>QUOTE NO.:</p>