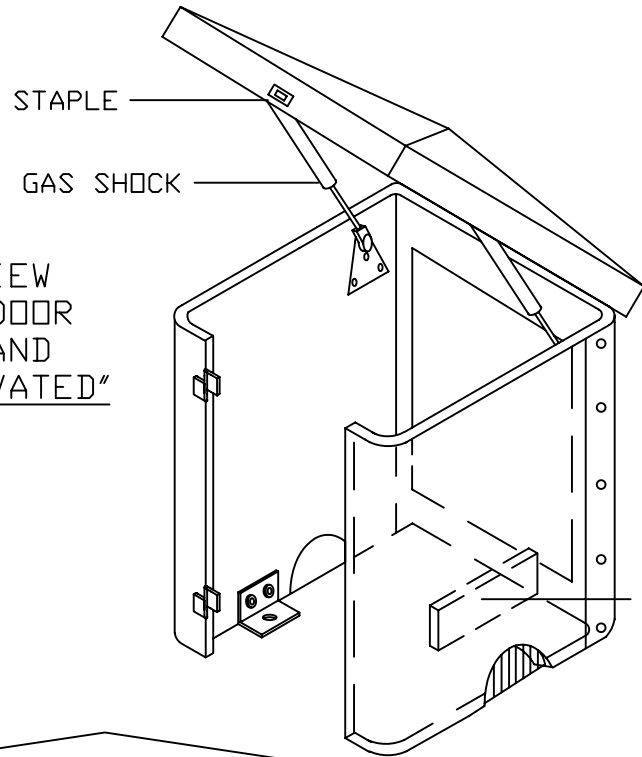


"FRONT VIEW"

BRUSH ON
BOTTOM OF
DOOR

YACHT
QUALITY
FINISH

ONE WAY "DECK DRAIN"
(EACH SIDE)

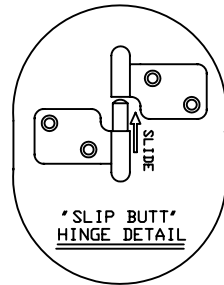


"FRONT VIEW
W/FRONT DOOR
REMOVED AND
ROOF ELEVATED"

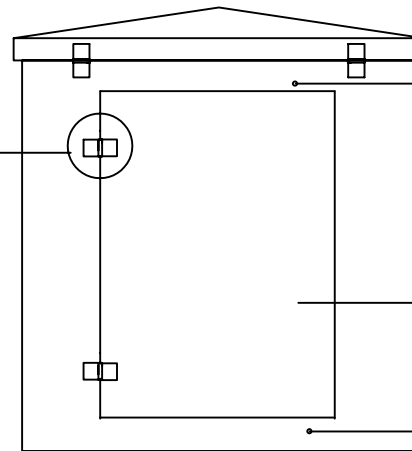
STAPLE

GAS SHOCK

OPTIONAL
HEATER
LOCATION



"SLIP BUTT"
HINGE DETAIL



"REAR VIEW"

PERMANENT HEADER

SWING OUT (REMOVABLE)
ACCESS PANEL

PERMANENT FOOTER

NOTES:

1. INTERNAL DIMENSIONS: 47" L x 47" W x 49" H
2. INSULATION: 1.5" THICK POLYISOCYANURATE FOAM.
3. STANDARD COLOR: BEIGE (OPTIONS AVAILABLE).
5. ENCLOSURE IS A HB6FEM WHEN INSTALLED WITH THE HEAT.
4. OPTIONAL HEAT: 1500W, 120V, 1-PH, FAN-FORCED.

RESTRICTED DRAWING
PATENT # 4,726,394.

Hot Box®
924 LANE AVE. N.
JACKSONVILLE, FLORIDA 32254
(904) 786-0204 (800) 736-0238
FAX (904) 783-6965
<http://www.hot-box.com>

TITLE :
STANDARD #LB6FEM "DESIGNER SERIES"™
(MODULAR FIBERGLASS ENCLOSURE)

BY/DATE/DWG:
SBT / 7-27-99
LB6FEM

ENGINEER / CONTRACTOR :

LOCATION :

APPROVED/DATE :

REV. 1 :

REV. 2 :

REV. 3 :

SCALE :

N. T. S.

REP. / DISTRIBUTOR :

QUOTE NO.: