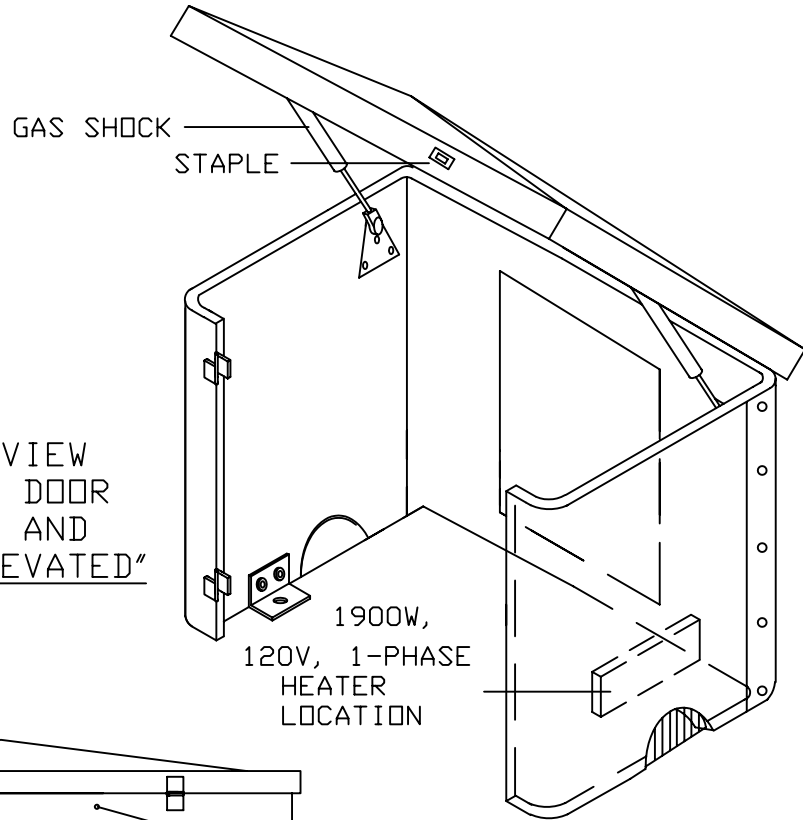
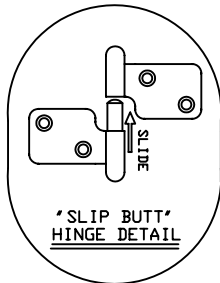


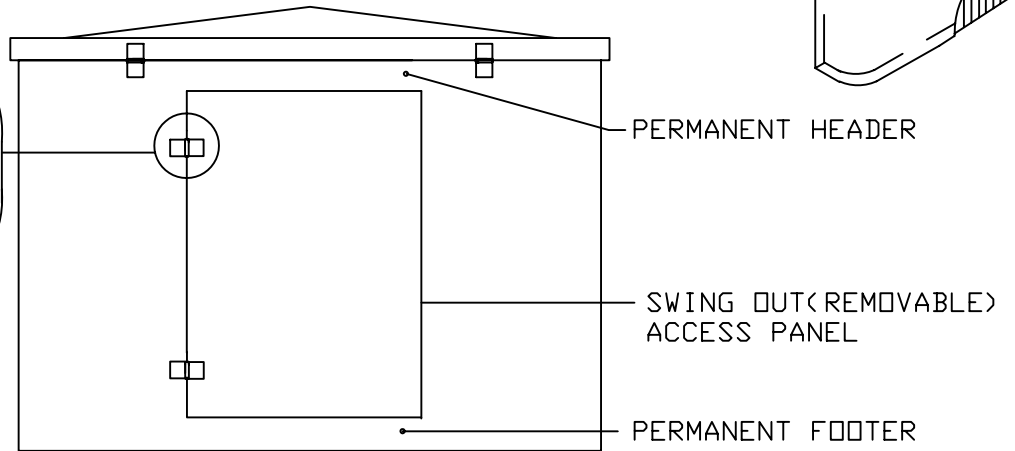
"FRONT VIEW"



"FRONT VIEW
W/FRONT DOOR
REMOVED AND
ROOF ELEVATED"



"SLIP BUTT"
HINGE DETAIL



"REAR VIEW"

NOTES:

1. INTERNAL DIMENSIONS: 62" Lx54" Wx56" H
2. INSULATION: 1.5" THICK POLYISOCYANURATE FOAM.
3. HEAT: 1900W, 120V, 1-PH, FAN-FORCED
4. THIS UNIT IS LB10FEM WHEN ORDERED WITHOUT HEAT.

RESTRICTED DRAWING
PATENT # 4,726,394.

<p>Hot Box® 924 LANE AVE. N. JACKSONVILLE, FLORIDA 32254 (904) 786-0204 (800) 736-0238 FAX (904) 783-6965 http://www.hot-box.com</p>		<p>TITLE : STANDARD # HB10FEM "DESIGNER SERIES"™ (MODULAR FIBERGLASS ENCLOSURE)</p>		<p>BY/DATE/DWG: SBT / 10-20-99 HB10FEM</p>	
<p>ENGINEER / CONTRACTOR :</p>		<p>LOCATION :</p>		<p>APPROVED/DATE :</p>	
<p>REV. 1 :</p>	<p>REV. 2 :</p>	<p>REV. 3 :</p>	<p>SCALE : N. T. S.</p>	<p>REP. / DISTRIBUTOR :</p>	
				<p>QUOTE NO.:</p>	