

"FRONT VIEW"

BRUSH ON  
BOTTOM OF  
DOOR

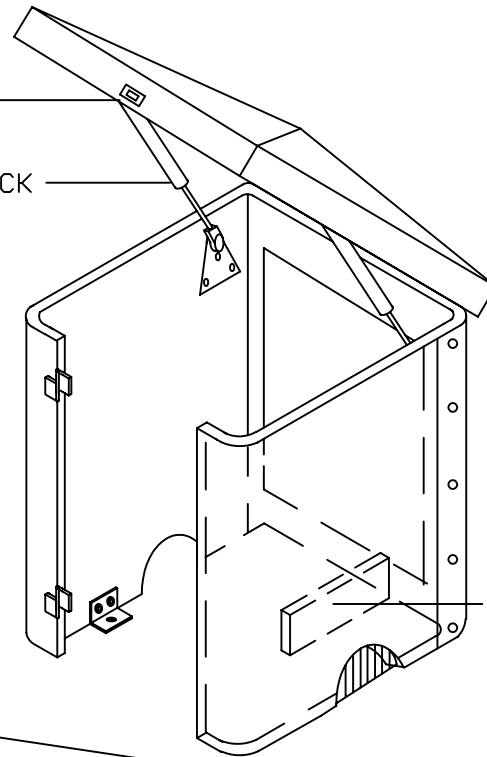
YACHT  
QUALITY  
FINISH

ONE WAY "DECK DRAIN"  
(EACH SIDE)

STAPLE

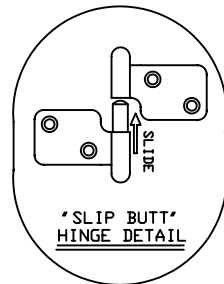
GAS SHOCK

"FRONT VIEW  
W/FRONT DOOR  
REMOVED AND  
ROOF ELEVATED"

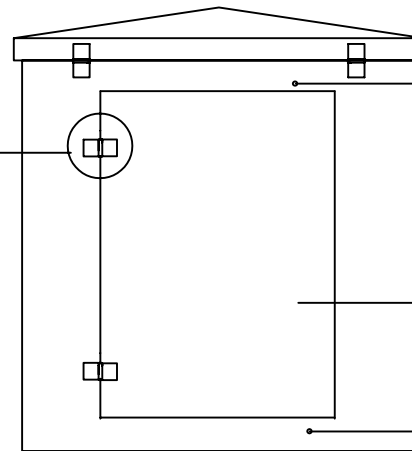


1500W, 120V,  
1-PHASE

HEATER  
LOCATION



"SLIP BUTT"  
HINGE DETAIL



"REAR VIEW"

PERMANENT HEADER

SWING OUT (REMOVABLE)  
ACCESS PANEL

PERMANENT FOOTER

NOTES:

1. INTERNAL DIMENSIONS: 53" Lx53" Wx56" H
2. INSULATION: 1.5" THICK POLYISOCYANURATE FOAM.
3. STANDARD COLOR: BEIGE (OPTIONS AVAILABLE).
4. 1500W, 120V, SINGLE-PHASE HEATER PROVIDED.
5. ENCLOSURE IS A LB8FEM WHEN INSTALLED WITHOUT THE HEATER.

RESTRICTED DRAWING  
PATENT # 4,726,394.

Hot Box®  
924 LANE AVE. N.  
JACKSONVILLE, FLORIDA 32254  
(904) 786-0204 (800) 736-0238  
FAX (904) 783-6965  
<http://www.hot-box.com>

TITLE : STANDARD #HB8FEM "DESIGNER SERIES"™  
(MODULAR FIBERGLASS ENCLOSURE)

BY/DATE/DWG:  
SBT / 7-27-99  
HB8FEM

ENGINEER / CONTRACTOR :

LOCATION :

APPROVED/DATE :

REV. 1 :

REV. 2 :

REV. 3 :

SCALE :

N. T. S.

REP. / DISTRIBUTOR :

QUOTE NO.: