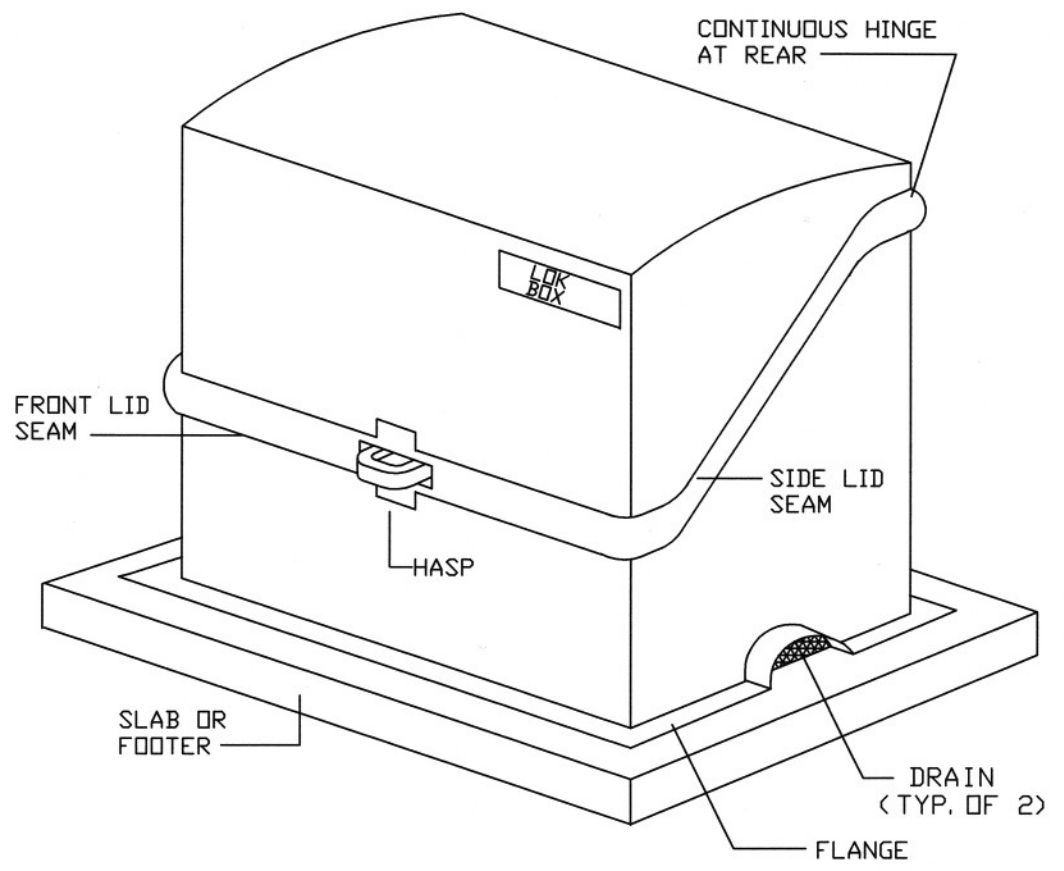
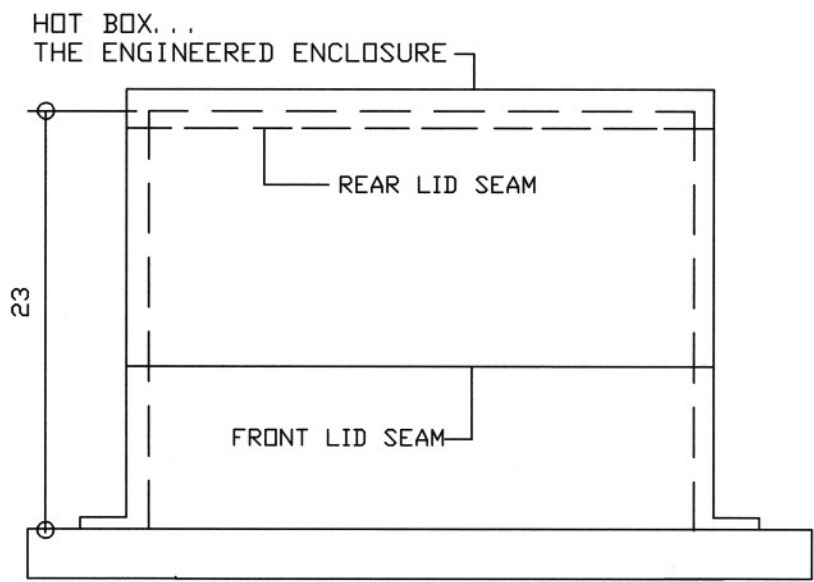


NOTE :

1. RECOMMENDED SLAB SIZE : 36" L x 22" W x 4" MINIMUM THICKNESS.
2. THIS UNIT IS THE HB1 WHEN ORDERED WITH HEAT.



RESTRICTED DRAWING.  
PATENT # 4,726,394.

|   |                 |                 |  |                             |   |                   |
|---|-----------------|-----------------|--|-----------------------------|---|-------------------|
| <p>Hot Box®<br/>924 LANE AVE. N.<br/>JACKSONVILLE, FLORIDA 32254<br/>(904) 786-0204 (800) 736-0238<br/>FAX (904) 783-6965<br/><a href="http://www.hot-box.com">http://www.hot-box.com</a></p> |                 |                 | <p>TITLE :<br/>STANDARD # LB1 FIBERGLASS ENCLOSURE</p> |                             | <p>BY/DATE/DWG:<br/>SBT / 7-19-99<br/>LB1</p> |                   |
| <p>ENGINEER / CONTRACTOR :</p>  |                 |                 | <p>LOCATION :</p>                                      |                             | <p>APPROVED/DATE :</p>                        |                   |
| <p>REV. 1 :</p>   | <p>REV. 2 :</p> | <p>REV. 3 :</p> | <p>SCALE:<br/>N. T. S.</p>                             | <p>REP. / DISTRIBUTOR :</p> |   | <p>QUOTE NO.:</p> |