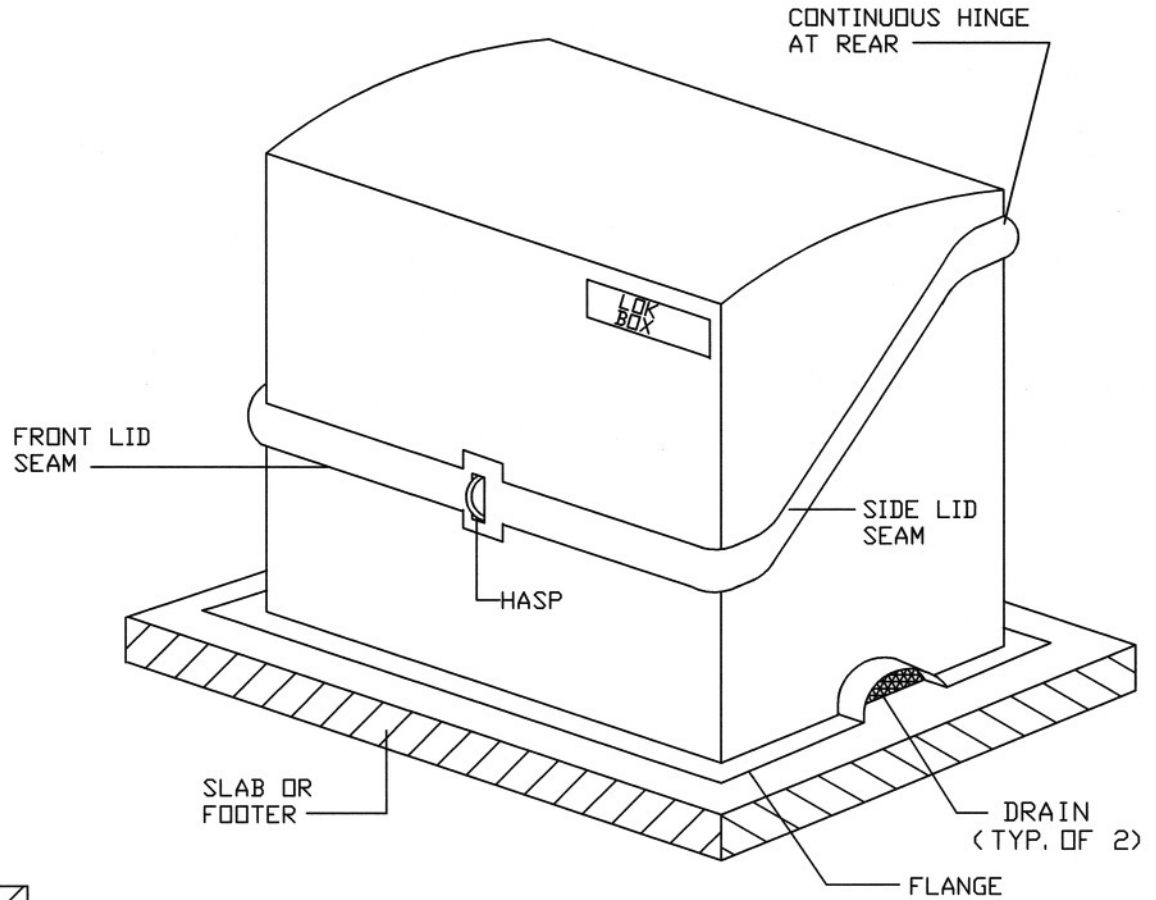
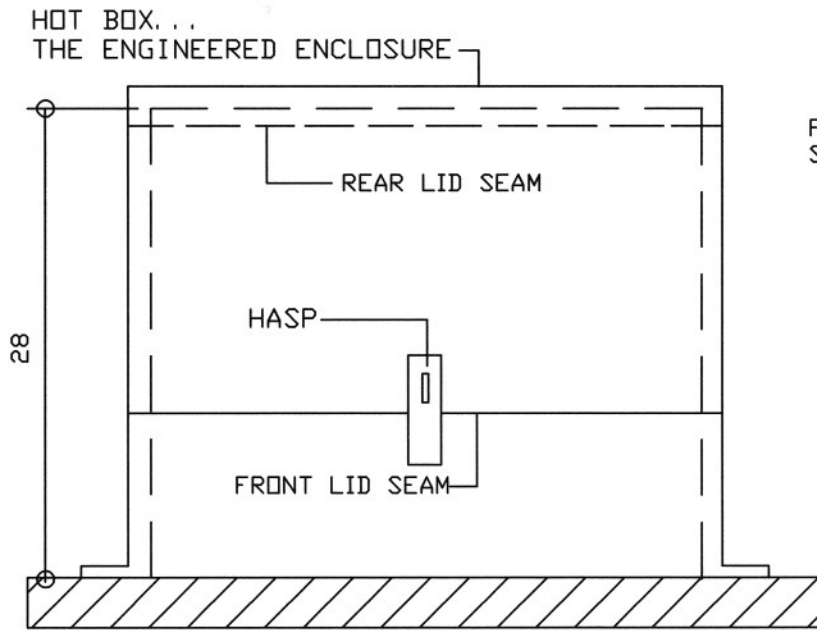
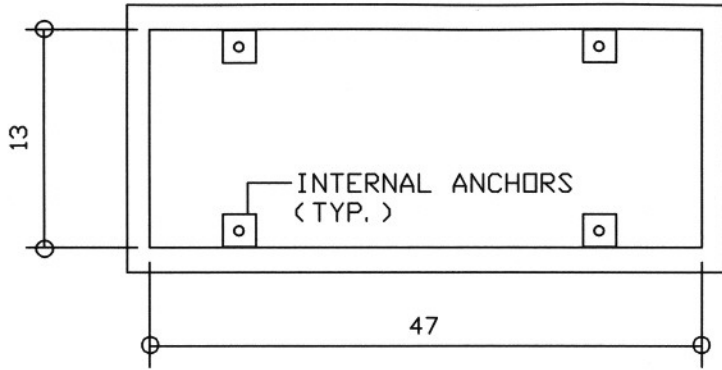


NOTE :

1. RECOMMENDED SLAB SIZE : 58" L x 24" W x 4" MINIMUM THICKNESS.
2. THIS UNIT IS THE HB2S WHEN ORDERED WITH HEAT.
3. OPTIONAL HEAT IS PROVIDED BY A 90W, 120V, 1-PH HEAT CABLE.



RESTRICTED DRAWING.
PATENT # 4,726,394.

Hot Box®
924 LANE AVE. N.
JACKSONVILLE, FLORIDA 32254
(904) 786-0204 (800) 736-0238
FAX (904) 783-6965
<http://www.hot-box.com>

TITLE :
STANDARD # LB2S FIBERGLASS FLIP-TOP ENCLOSURE

BY/DATE/DWG:
SBT / 9-5-02
LB-2S

ENGINEER / CONTRACTOR :

LOCATION :

APPROVED/DATE :

REV. 1 :

REV. 2 :

REV. 3 :

SCALE:

N. T. S.

REP. / DISTRIBUTOR :

QUOTE NO.: