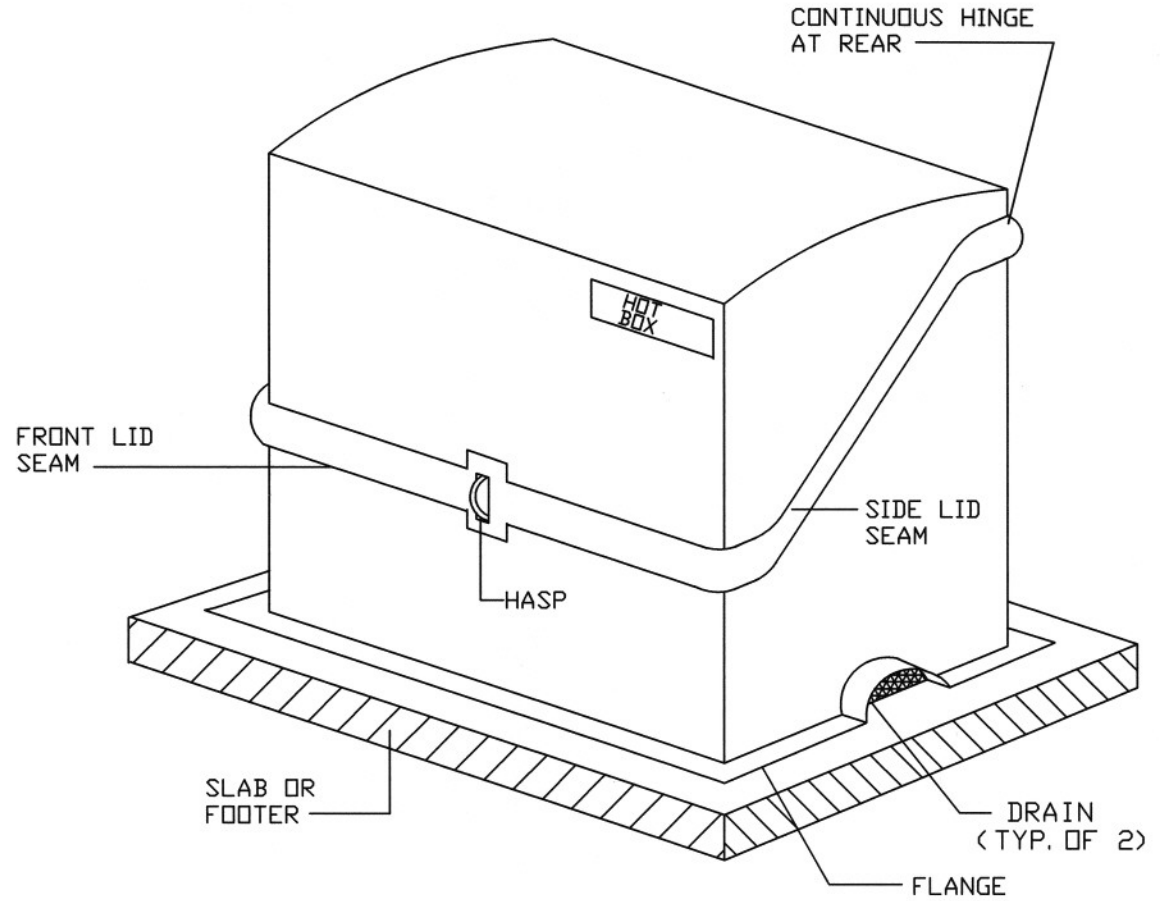
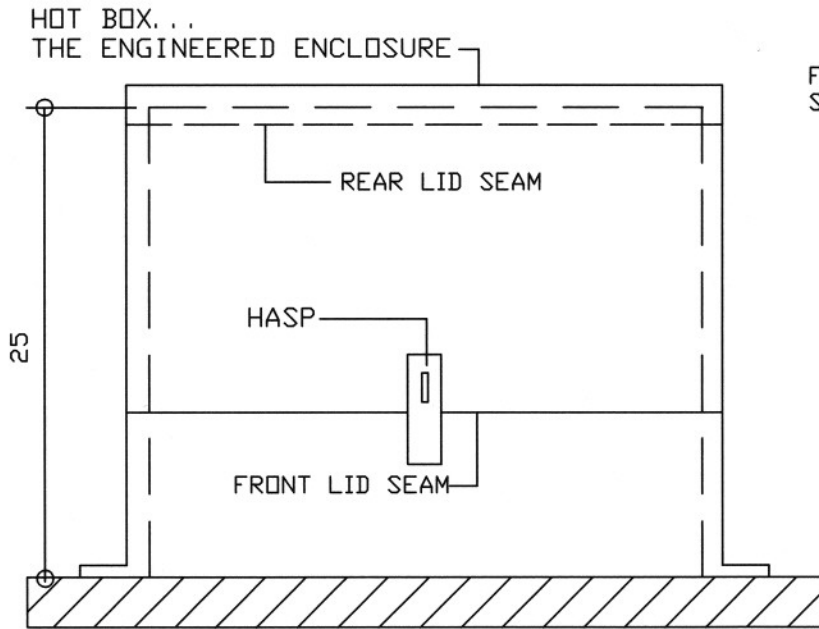
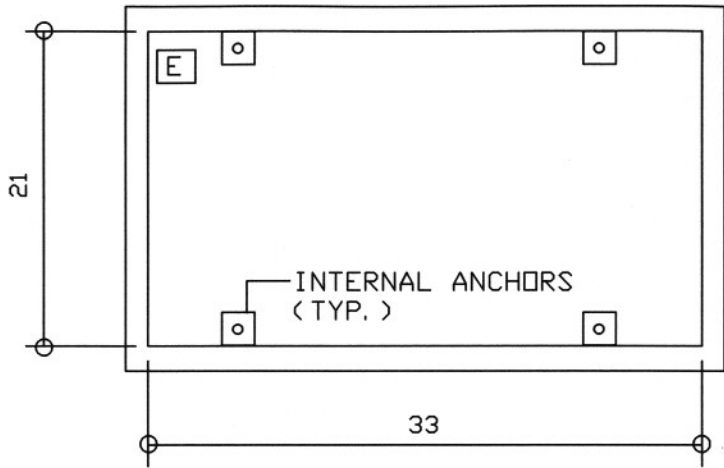


NOTE :

1. RECOMMENDED SLAB SIZE : 44" L x 32" W x 4" MINIMUM THICKNESS.
2. HEAT IS PROVIDED BY A 60W, 120V, SINGLE PHASE HEAT TRACE CABLE.
3. ENCLOSURE IS A LB1.5 WHEN INSTALLED WITHOUT HEAT.



RESTRICTED DRAWING.  
PATENT # 4,726,394.

Hot Box®  
924 LANE AVE. N.  
JACKSONVILLE, FLORIDA 32254  
(904) 786-0204 (800) 736-0238  
FAX (904) 783-6965  
<http://www.hot-box.com>

TITLE :

STANDARD # HB1.5 FIBERGLASS ENCLOSURE

BY/DATE/DWG:

SBT / 6-30-99  
HB15

ENGINEER / CONTRACTOR :

LOCATION :

APPROVED/DATE :

REV. 1 :

REV. 2 :

REV. 3 :

SCALE:

N. T. S.

REP. / DISTRIBUTOR :

QUOTE NO.: