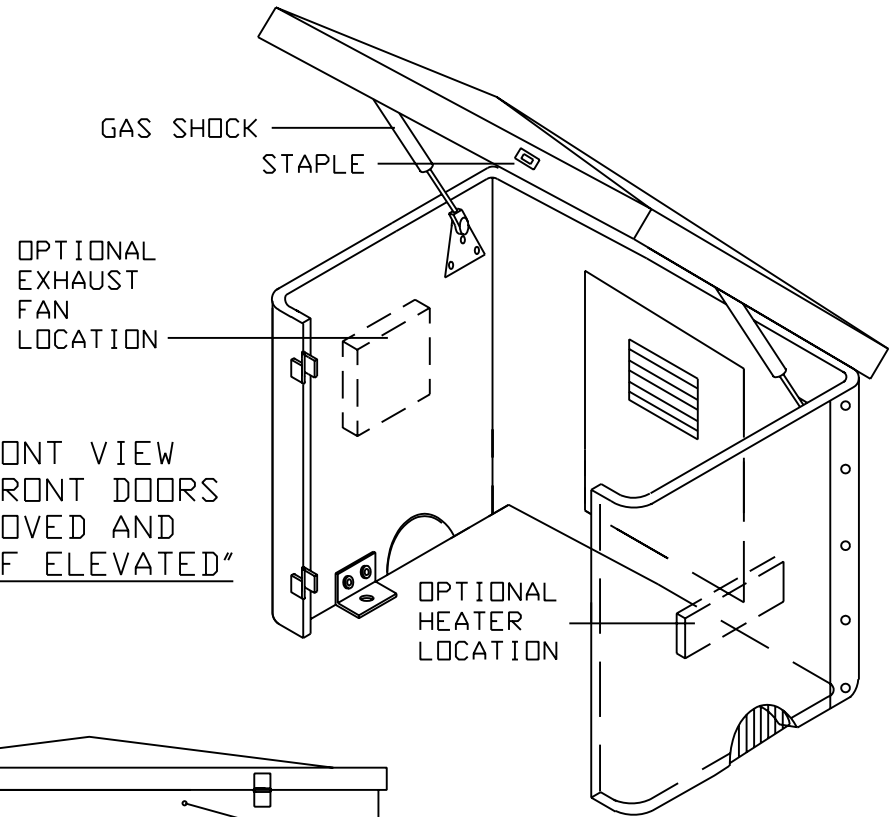
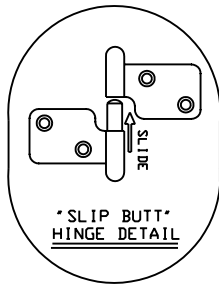


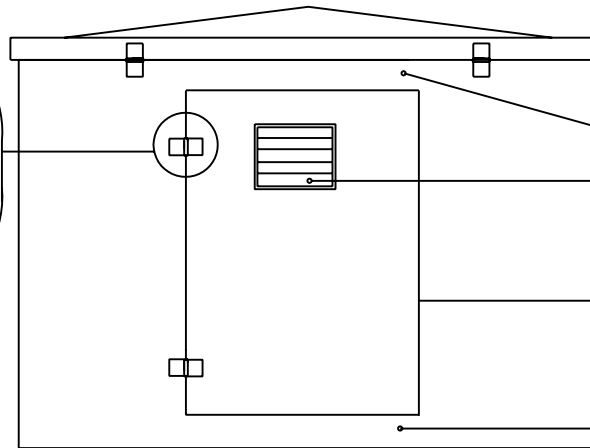
"FRONT VIEW"



"FRONT VIEW
W/FRONT DOORS
REMOVED AND
ROOF ELEVATED"



"SLIP BUTT
HINGE DETAIL"



"REAR VIEW"

NOTES:

1. INTERNAL DIMENSIONS: 62" L x 54" W x 56" H
2. INSULATION: POLYURETHANE FOAM
3. OPTIONAL HEAT (1900W, 120V, 1-PH HEATER).
4. OPTIONAL FAN (120V, 1-PH)
5. STANDARD COLOR: BEIGE (OPTIONS AVAILABLE).
6. RECOMMENDED PAD SIZE: 74" x 66" - MIN 4" THK.

RESTRICTED DRAWING
PATENT # 4,726,394.

Hot Box®

924 LANE AVE. N.
JACKSONVILLE, FLORIDA 32254
(904) 786-0204 (800) 736-0238
FAX (904) 783-6965
<http://www.hot-box.com>

TITLE :

PG10000 (STANDARD "PUMP GUARD" VENTED
MODULAR FIBERGLASS ENCLOSURE - NO HEAT)

BY/DATE/DWG:

SBT / 7-27-99
PG10M

ENGINEER / CONTRACTOR :

LOCATION :

CATALOG DRAWING

APPROVED/DATE :

REV. 1 :

REV. 2 :

REV. 3 :

SCALE :

N. T. S.

REP. / DISTRIBUTOR :

QUOTE NO.: