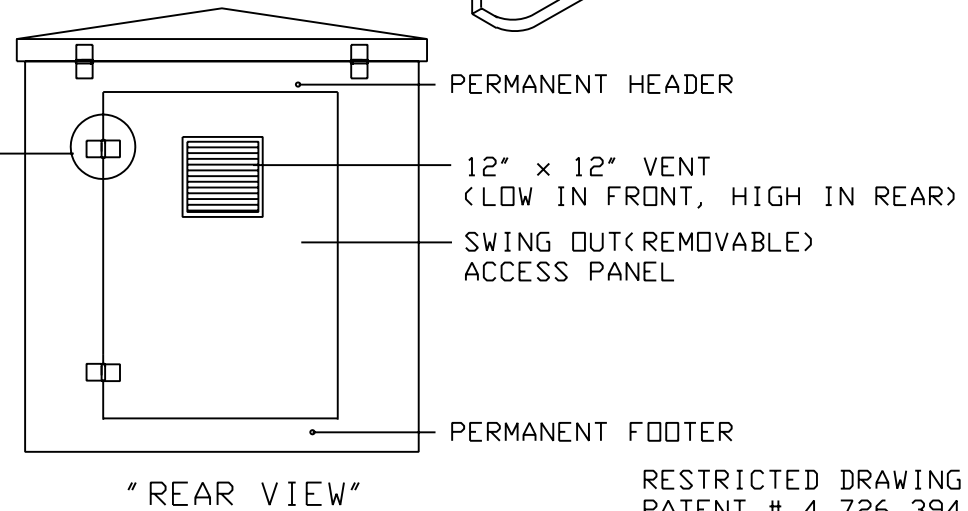
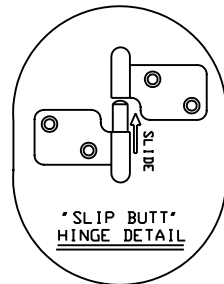
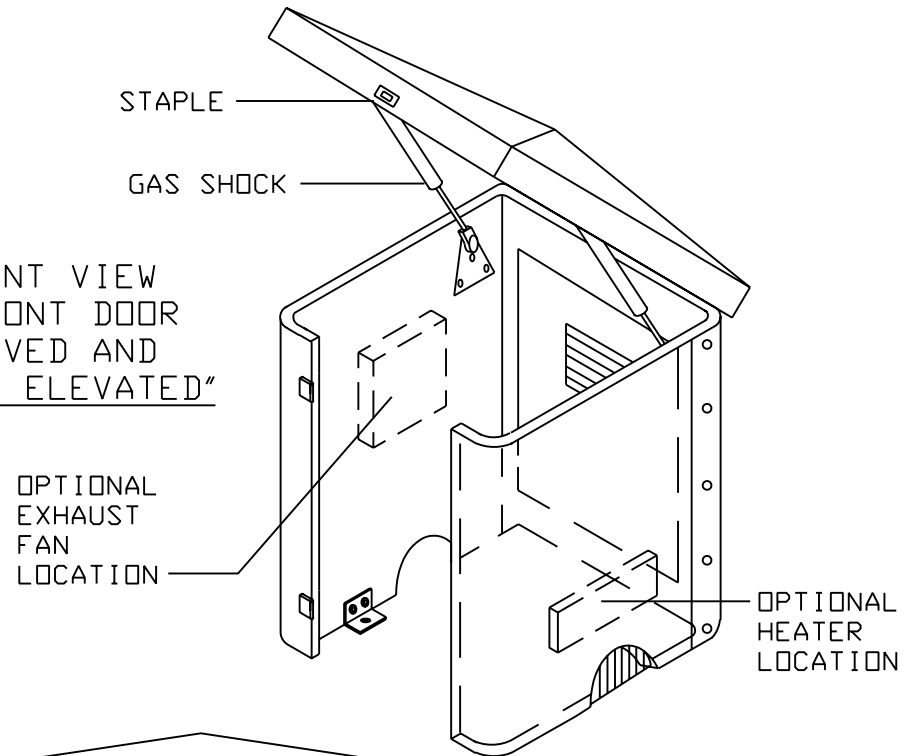


"FRONT VIEW W/FRONT DOOR REMOVED AND ROOF ELEVATED"



NOTES:

1. INTERNAL DIMENSIONS: 41" L x 41" W x 45" H
2. INSULATION: POLYURETHANE FOAM
3. OPTIONAL HEAT (1000W, 120V, 1-PH HEATER)
4. OPTIONAL EXHAUST FAN (120V, 1-PH)
5. STANDARD COLOR: BEIGE (OPTIONS AVAILABLE).
6. RECOMMENDED PAD SIZE: 53" x 53" - MIN 4" THK

RESTRICTED DRAWING
PATENT # 4,726,394.

Hot Box®
924 LANE AVE. N.
JACKSONVILLE, FLORIDA 32254
(904) 786-0204 (800) 736-0238
FAX (904) 783-6965
<http://www.hot-box.com>

TITLE : PG4000 (STANDARD "PUMP GUARD" VENTED
MODULAR FIBERGLASS ENCLOSURE - NO HEAT)

BY/DATE/DWG:
SBT / 10-12-98
PG4000

ENGINEER / CONTRACTOR :

LOCATION :

APPROVED/DATE :

REV. 1 :

1-26-99

REV. 2 :

3-18-99

REV. 3 :

SCALE :

N. T. S.

REP. / DISTRIBUTOR :

QUOTE NO.: