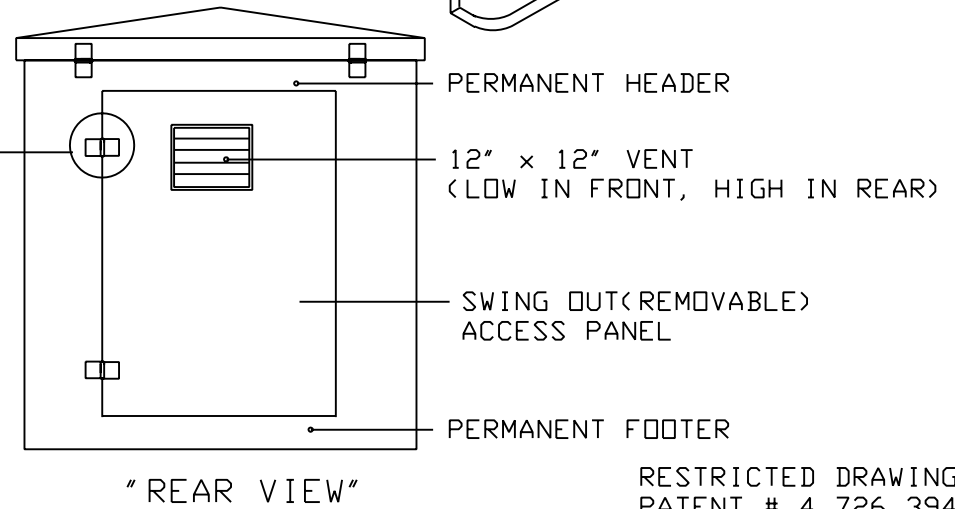
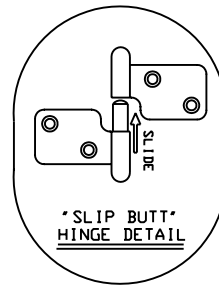
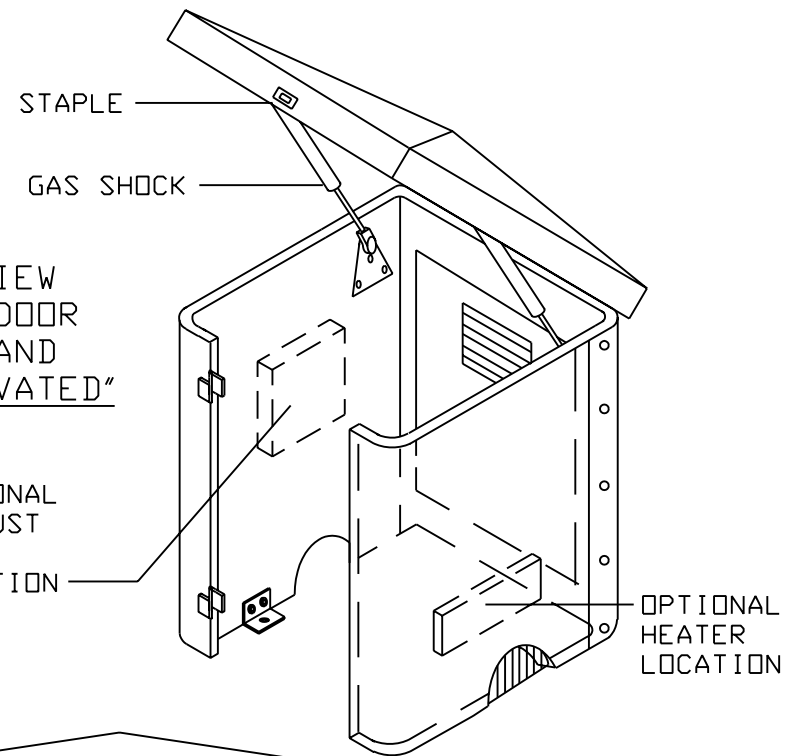


"FRONT VIEW W/FRONT DOOR REMOVED AND ROOF ELEVATED"



NOTES:

1. INTERNAL DIMENSIONS: 47" L x 47" W x 49" H
2. INSULATION: POLYURETHAN FOAM
3. OPTIONAL HEAT (1500W, 120V, 1-PH HEATER)
4. OPTIONAL FAN (120V, 1-PH)
5. STANDARD COLOR: BEIGE (OPTIONS AVAILABLE).
6. RECOMMENDED PAD SIZE: 57" x 57" - MIN 4" THK.

RESTRICTED DRAWING  
PATENT # 4,726,394.

**Hot Box®**

924 LANE AVE. N.  
JACKSONVILLE, FLORIDA 32254  
(904) 786-0204 (800) 736-0238  
FAX (904) 783-6965  
<http://www.hot-box.com>

TITLE : PG6000 (STANDARD "PUMP GUARD" VENTED  
MODULAR FIBERGLASS ENCLOSURE - NO HEAT)

BY/DATE/DWG:  
SBT / 10-12-98  
PG6000

ENGINEER / CONTRACTOR :

LOCATION :  
CATALOG DRAWING

APPROVED/DATE :

REV. 1 :  
1-26-99

REV. 2 :

REV. 3 :

SCALE :  
N. T. S.

REP. / DISTRIBUTOR :

QUOTE NO.: