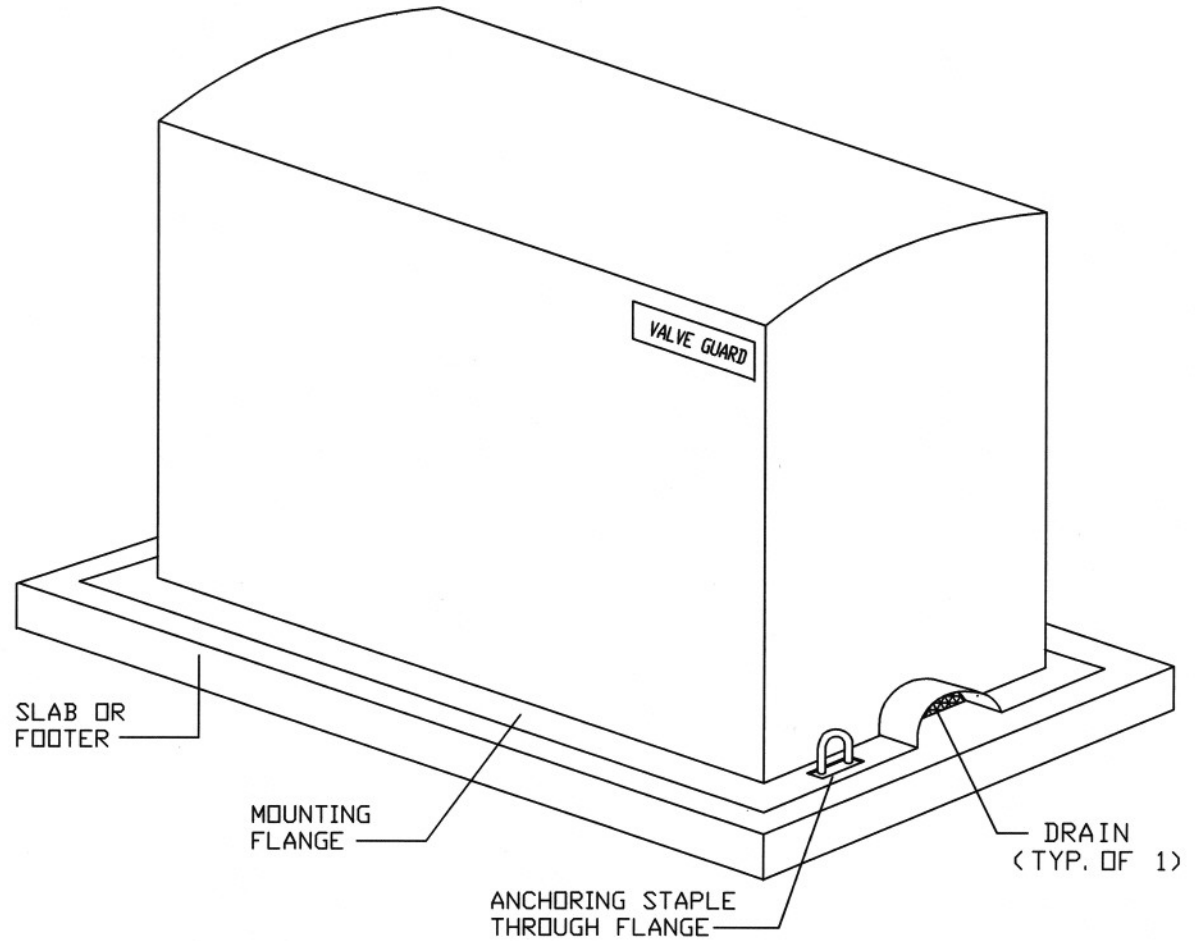
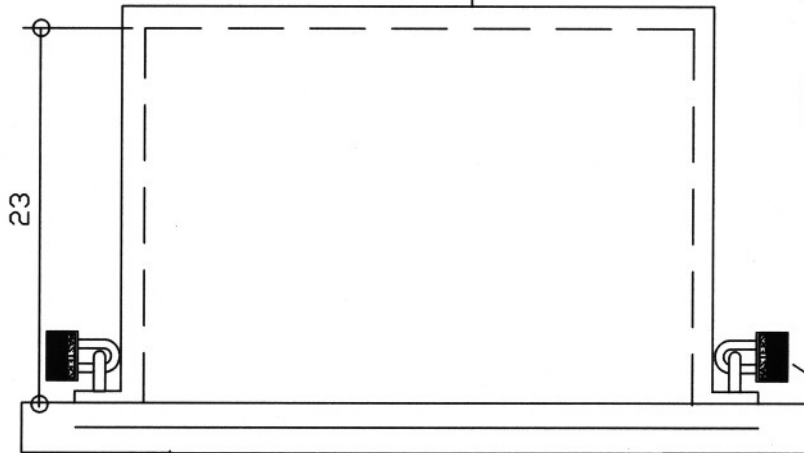


EZ BOX...
THE ENGINEERED ENCLOSURE



RESTRICTED DRAWING.
PATENT # 4,726,394.

Hot Box®

924 LANE AVE. N.
JACKSONVILLE, FLORIDA 32254
(904) 786-0204 (800) 736-0238
FAX (904) 783-6965
<http://www.hot-box.com>

TITLE : STANDARD # VGEz.75
(NON-INSULATED DROP-OVER FIBERGLASS ENCLOSURE)

BY/DATE/DWG:
SBT / 10-13-98
VGEz.75

ENGINEER / CONTRACTOR :

LOCATION :

APPROVED/DATE :

REV. 1 :
MED / 6-1-04

REV. 2 :

REV. 3 :

SCALE:
N. T. S.

REP. / DISTRIBUTOR :

QUOTE NO.: