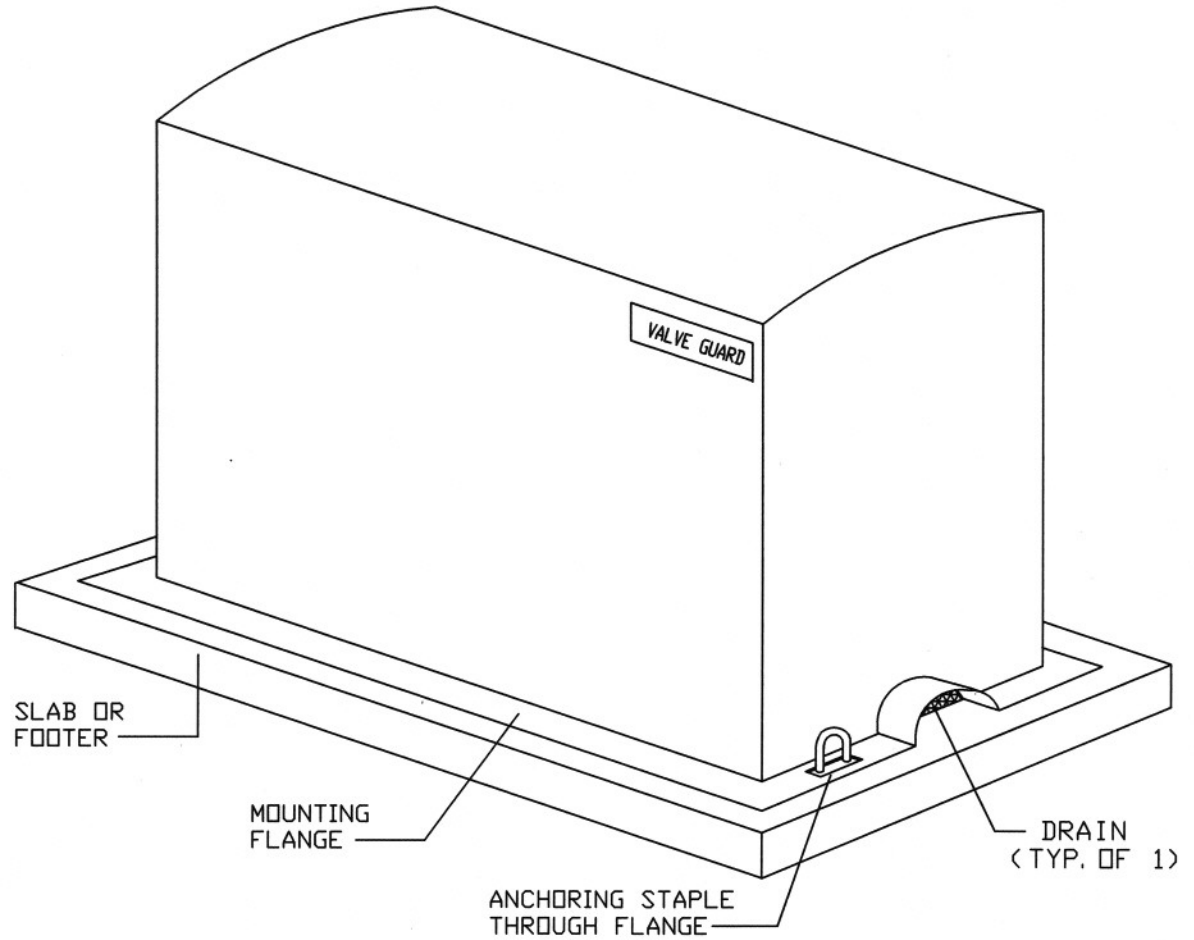
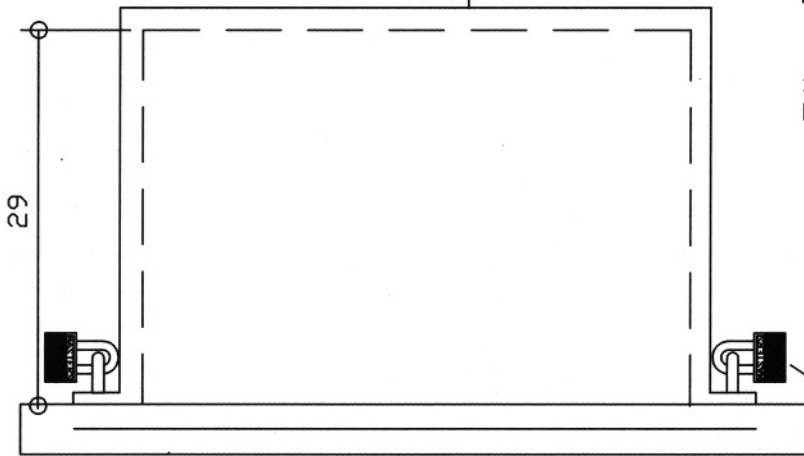


EZ BOX...
THE ENGINEERED ENCLOSURE



RESTRICTED DRAWING.
PATENT # 4, 726, 394.

Hot Box®

924 LANE AVE N.
JACKSONVILLE, FLORIDA 32254
(904) 786-0204 (800) 736-0238
FAX (904) 783-6965
<http://www.hot-box.com>

TITLE :

STANDARD # VGEz2

(NON-INSULATED DROP-OVER FIBERGLASS ENCLOSURE)

BY/DATE/DWG:

SBT / 12-4-02
VGEz2

ENGINEER / CONTRACTOR :

LOCATION :

APPROVED/DATE :

REV. 1 :

REV. 2 :

REV. 3 :

SCALE:

N. T. S.

REP. / DISTRIBUTOR :

QUOTE NO.: