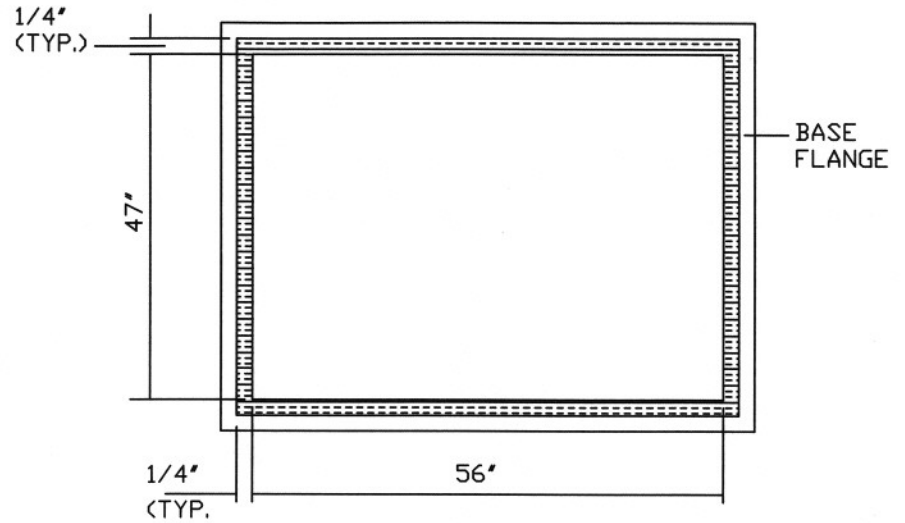


DRAINPORT
(TYP. EACH END)

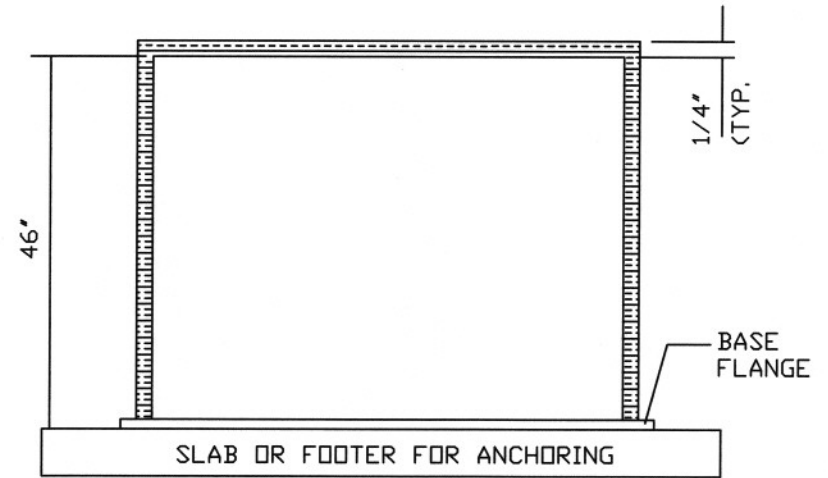
1 1/2" BASE
ANCHOR FLANGE

NOTE:

1. RECOMMENDED SLAB SIZE: 65" L x 56" W x 4" MINIMUM THICKNESS.
2. STANDARD COLOR: BEIGE (OPTIONS AVAILABLE).



PLAN VIEW



SIDE VIEW

Hot Box®

924 LANE AVE. N.
JACKSONVILLE, FLORIDA 32254
(904) 786-0204 (800) 736-0238
FAX (904) 783-6965
<http://www.hot-box.com>

TITLE :

STANDARD VGEz4000
(NON-INSULATED DROP-OVER FIBERGLASS ENCLOSURE)

BY/DATE/DWG:

MED / 6-2-04

ENGINEER / CONTRACTOR :

LOCATION :

APPROVED/DATE :

REV. 1 :

REV. 2 :

REV. 3 :

SCALE :

N. T. S.

REP. / DISTRIBUTOR :

QUOTE NO.: