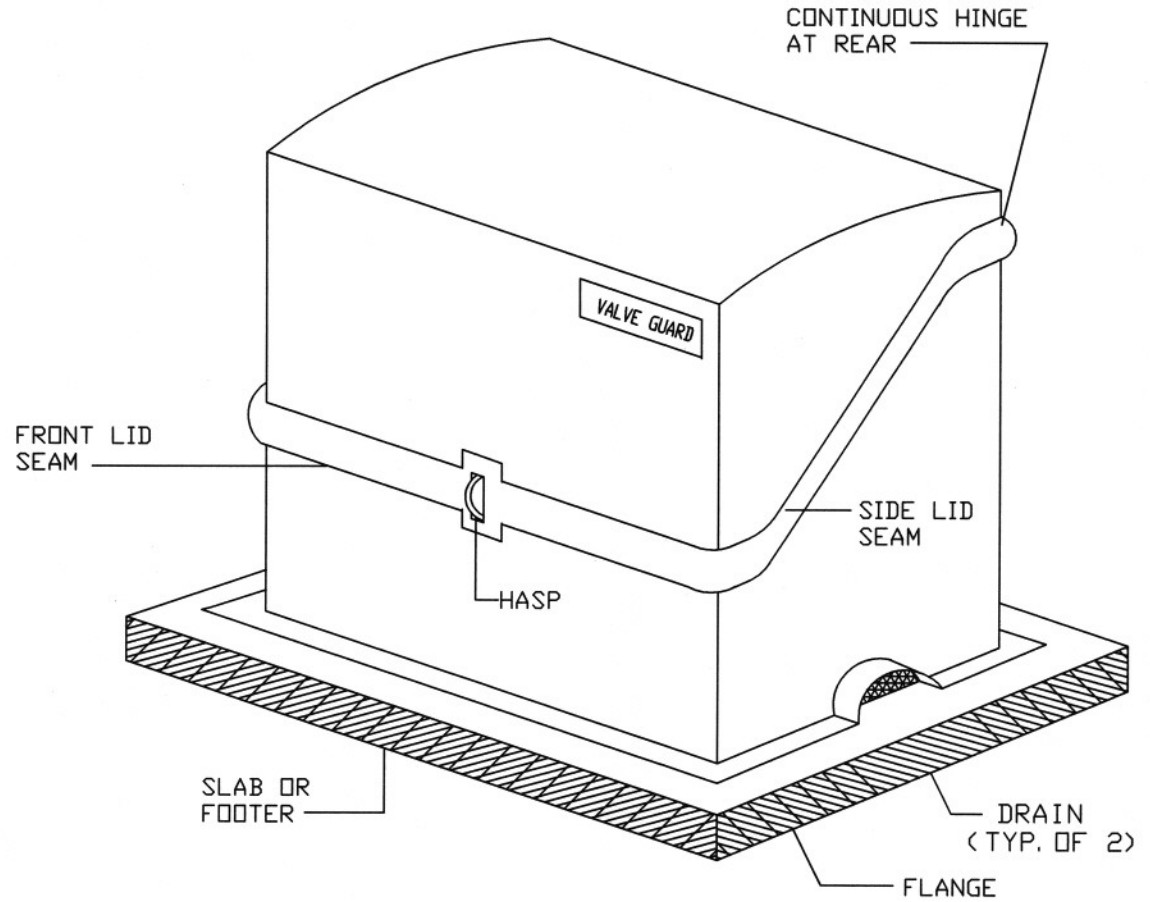
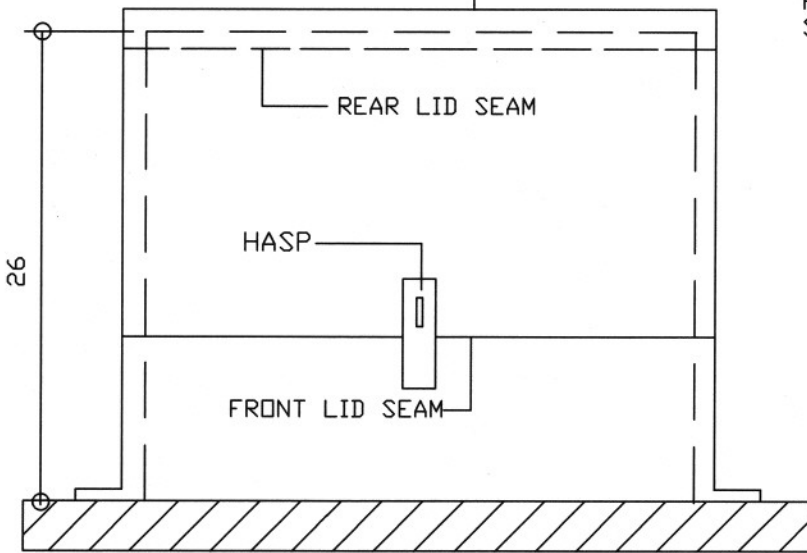


NOTE :

1. RECOMMENDED SLAB SIZE : 44" L x 32" W x 4" MINIMUM THICKNESS.

HOT BOX...
THE ENGINEERED ENCLOSURE



RESTRICTED DRAWING.
PATENT # 4,726,394.

Hot Box®
924 LANE AVE. N.
JACKSONVILLE, FLORIDA 32254
(904) 786-0204 (800) 736-0238
FAX (904) 783-6965
<http://www.hot-box.com>

TITLE : STANDARD # VG1.5 NON-INSULATED FIBERGLASS
FLIP-TOP ENCLOSURE

BY/DATE/DWG:
SBT / 9-17-99
VG1.5

ENGINEER / CONTRACTOR :

LOCATION :

APPROVED/DATE :

REV. 1 :
MED / 5-17-04

REV. 2 :

REV. 3 :

SCALE:
N. T. S.

REP. / DISTRIBUTOR :

QUOTE NO.: