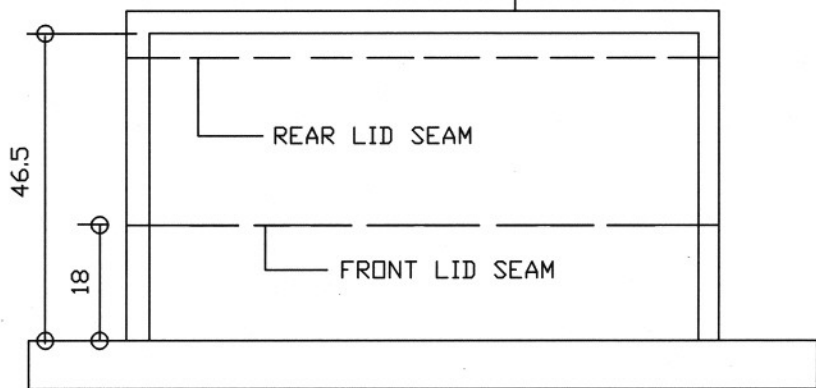
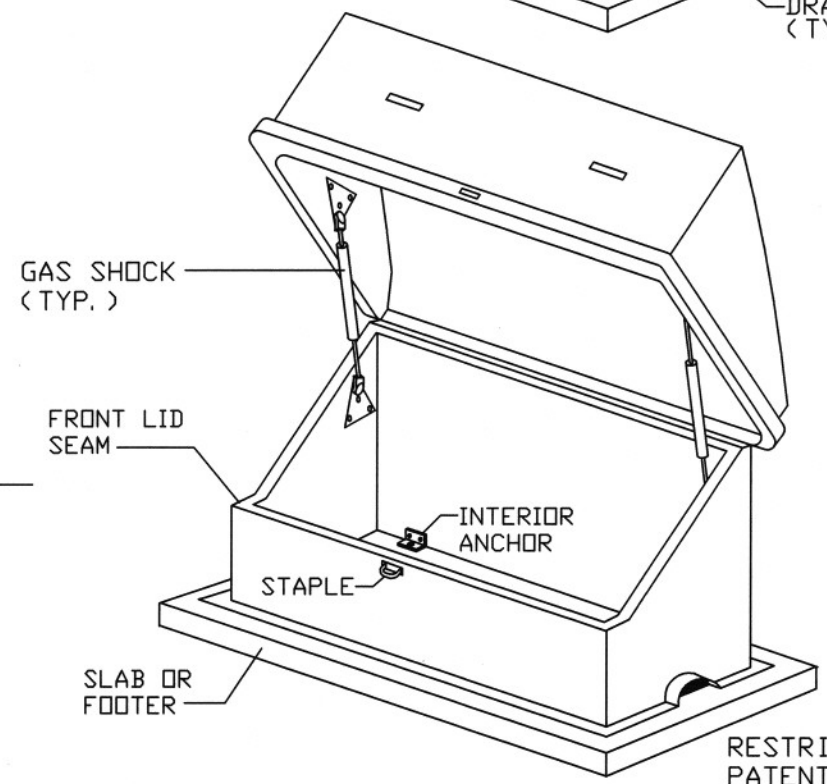
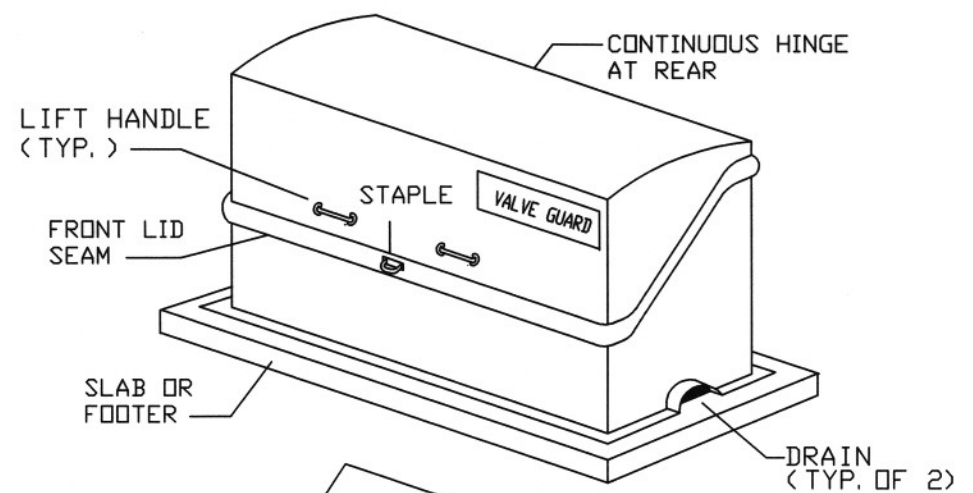


LOK BOX...
THE ENGINEERED ENCLOSURE



NOTES :

1. ALL DIMENSIONS ARE APPROXIMATED IN INCHES.
2. RECOMMENDED SLAB SIZE : 82" L x 38" W x 4" MINIMUM THICKNESS.
3. THE ENCLOSURE IS DESIGNED AS A FLIP-TOP TO ASSURE EASIER ACCESS AND MAINTENANCE.



RESTRICTED DRAWING.
PATENT # 4,726,394.

Hot Box® 924 LANE AVE. N. JACKSONVILLE, FLORIDA 32254 (904) 786-0204 (800) 736-0238 FAX (904) 783-6965 http://www.hot-box.com		TITLE : STANDARD # VG3N NON-INSULATED FIBERGLASS FLIP-TOP ENCLOSURE		BY/DATE/DWG: SBT / 4-21-99 VG3N
		ENGINEER / CONTRACTOR :		APPROVED/DATE :
REV. 1 : MED / 5-17-04	REV. 2 :	REV. 3 :	SCALE: N. T. S.	REP. / DISTRIBUTOR :
				QUOTE NO.: